

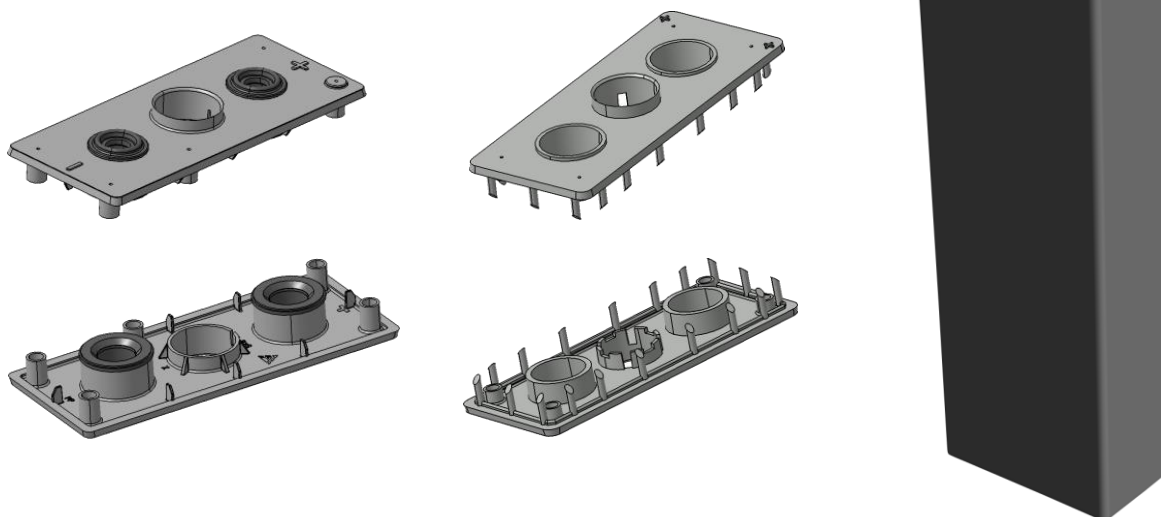


BS / PzB boxes and lids

Product description

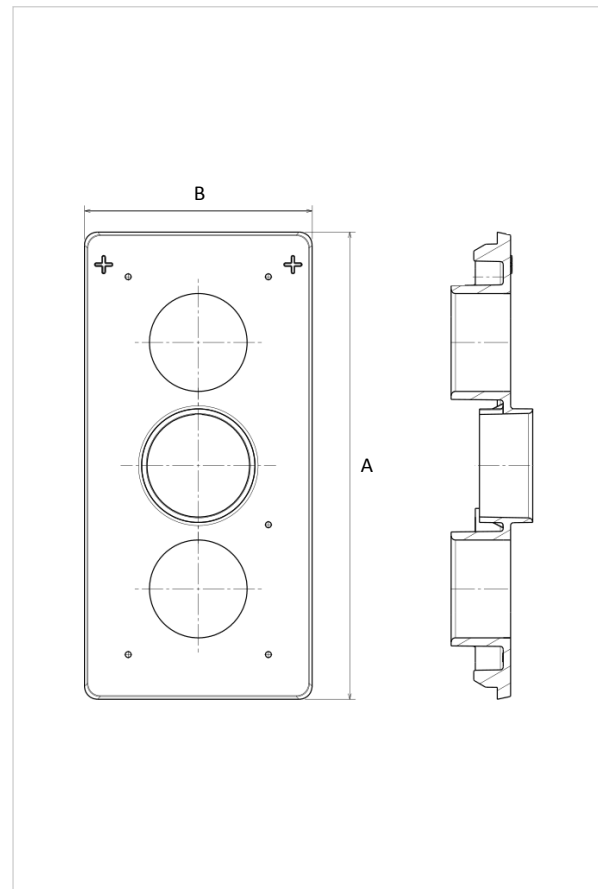
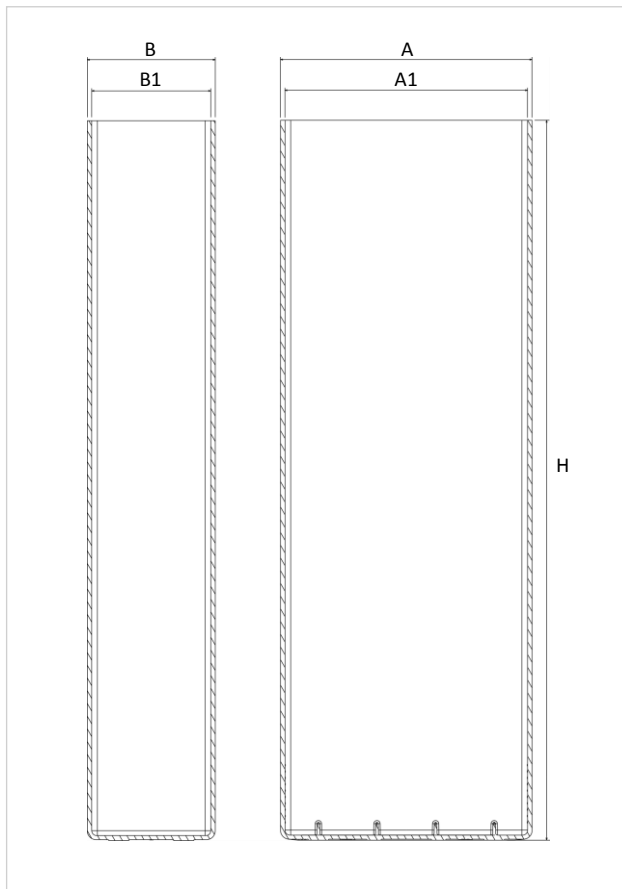
Containers and lids for motive power / traction batteries

- Containers available with or without prisms (molded-in or mobile)
- All heights available from 200 to 690 mm
- 2 lid versions available, with or without grommets
- Material: polypropylene copolymer



Advantages

- Cell design with constant wall thickness and without draft for optimized internal volume
- Special box design available with reduced wall thickness



	Box dimensions (mm)					Lid dimensions (mm)		
	A	A1	B	B1	H	A	B	
BS 2	157,5	151,5	45	39	200-690	BS 2	158	45
BS 3	157,5	151,5	61	55	200-690	BS 3	158	61
BS 4	157,5	151,5	77	71	200-690	BS 4	158	77
BS 5	157,5	151,5	93	87	200-690	BS 5	158	93
BS 6	157,5	151,5	109	103	200-690	BS 6	158	109
BS 7	157,5	151,5	125	119	200-690	BS 7	158	125
BS 8	157,5	151,5	141	135	200-690	BS 8	158	141
BS 9	157,5	151,5	157	151	200-690	BS 9	158	157
BS 10	157,5	151,5	173	167	200-690	BS 10	158	173
						BS 11	158	189
						BS 12	158	205
						BS 13	158	221
						BS 14	158	237
						BS 15	158	253

ACCUMALUX Group

BP 2153, L-1021 Luxembourg ▪ Tel: +352 36 70 62 ▪ Fax: +352 36 06 40 ▪ sales@accumalux.com ▪ www.accumalux.com

Always one step ahead