



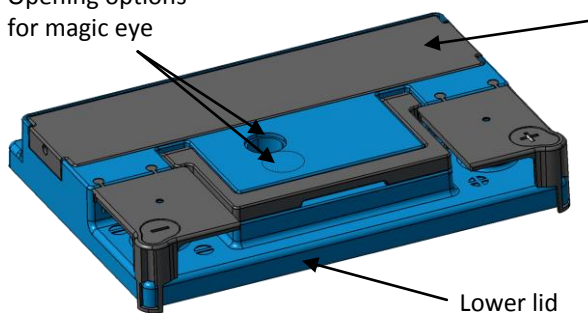
## MFL lids L-series

### Product description

**Advanced Maintenance-Free Lids without plugs featuring a flat surface and a clipped ramp with double flame arrestors**

- Special labyrinth system to avoid acid spillage and allow condensed electrolyte to return into the battery cells
- Can be equipped with individual or customized mono-bloc pole covers with exchangeable polarities (+/-)
- Two possible positions for magic eyes
- Lengthwise integrated handle
- Dedicated to aftermarket

Opening options  
for magic eye

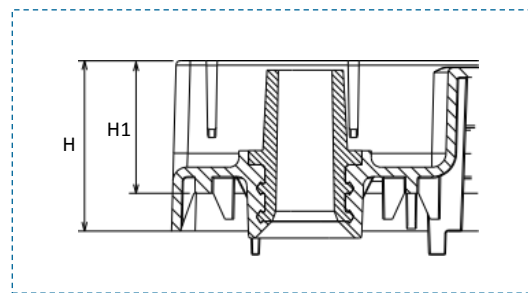
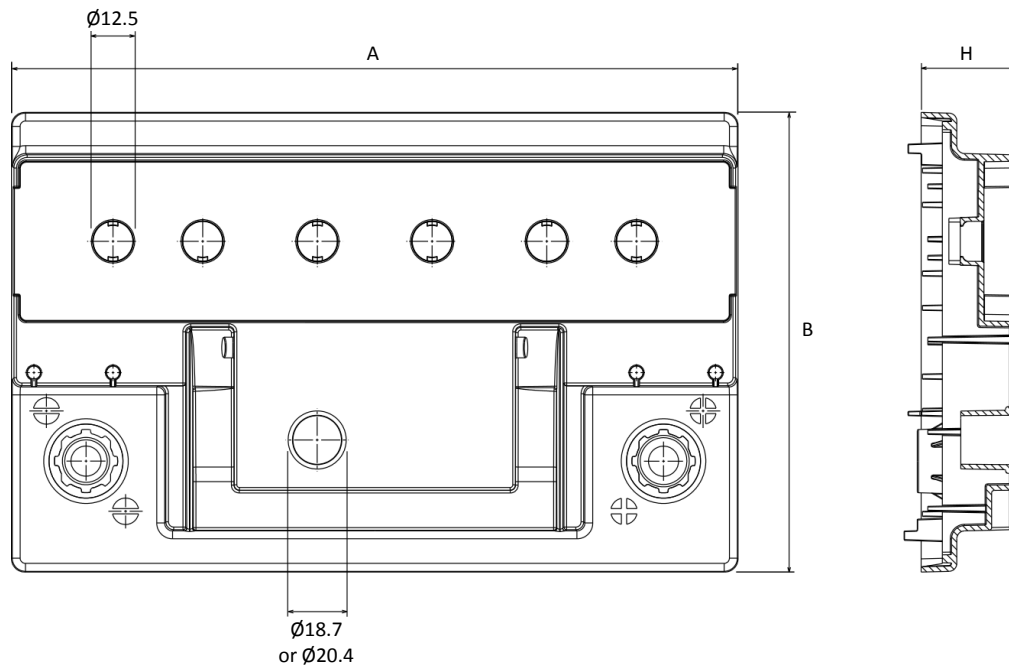


Clipped  
ramp



### Advantages

- Backfire safety even in extremely tilted positions of the battery
- Ramp assembled by simple pressure, requiring no additional heat sealing
- Safe and easy handling, universal installation and simple storage
- Flat surface and no visible plugs
- Compatible with all DIN boxes



	Lid dimensions (mm)				Lower lid	Ramp
	A	B	H	H1	Ref.	Ref.
<b>L1/LB1</b>	206	175	36	28	7445	7448
<b>L2/LB2</b>	241	175	36	28	7555	7558
<b>L3/LB3</b>	276	175	36	28	7665	7668
<b>L4/LB4</b>	313	175	36	28	7775	7778
<b>L5/LB5</b>	350	175	36	28	7885	7888

**ACCUMALUX Group**

BP 2153, L-1021 Luxembourg ▪ Tel: +352 36 70 62 ▪ Fax: +352 36 06 40 ▪ sales@accumalux.com ▪ www.accumalux.com

*Always one step ahead*