



OPzS / OPzV containers and lids

Product description

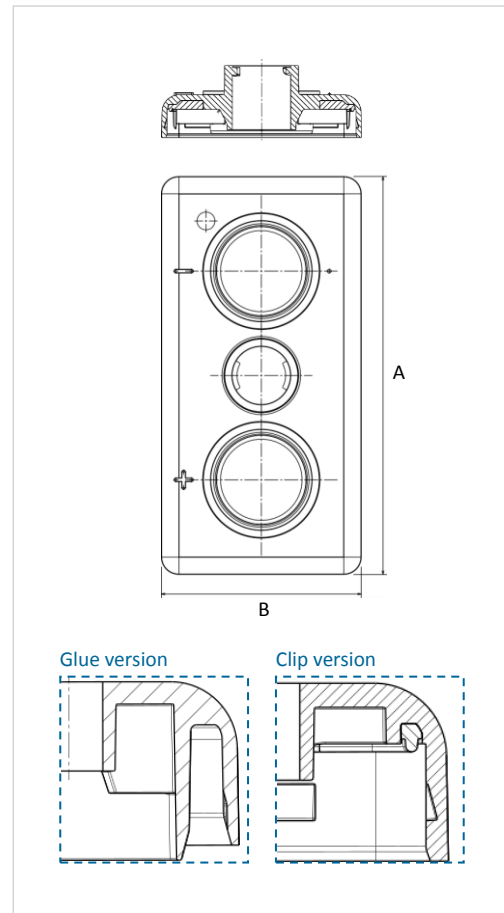
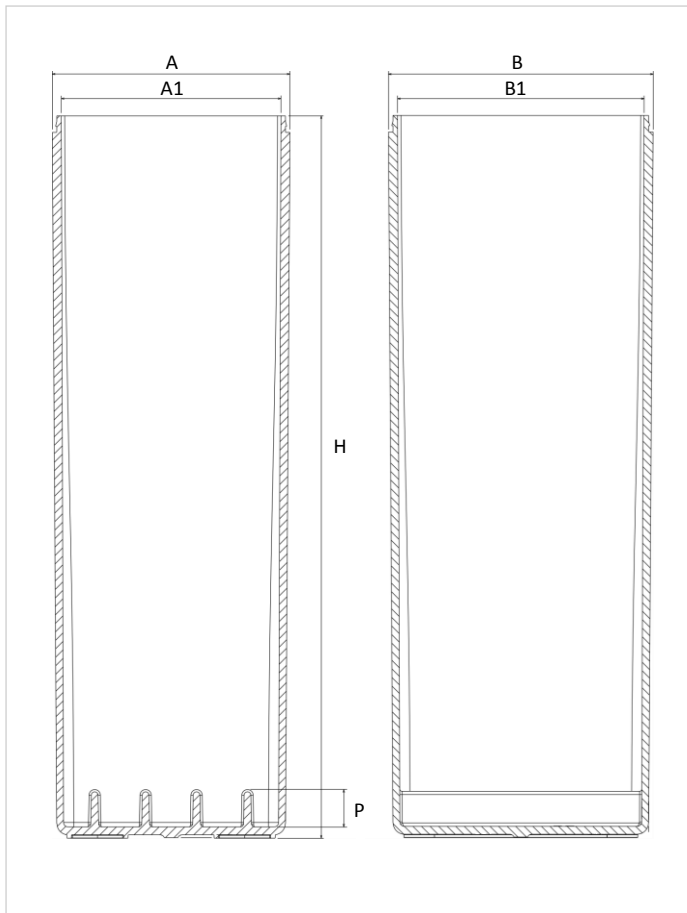
Containers and lids for reserve power / stationary batteries

- OPzS containers in transparent SAN
- OPzV containers in grey ABS
- OPzS and OPzV lids in grey ABS
- Lids available in glue or clip version
- Lids available with or without charge indicator hole
- Pole holes diameter: $\varnothing 32$, $\varnothing 34$, $\varnothing 42$



Advantages of clip system

- Gain of 24 hours on the manufacturing process
- Avoids gluing operation, reducing time and intermediate storage
- Production with automatic assembly through a small press for fixing the lid
- Clip lids can easily be installed manually



	Box dimensions (mm)						Box	Lid (glue)	Lid (clip)
	A	A1	B	B1	H	P	Ref.	Ref.	Ref.
4 OPzS/V 200	206	194	103	91	347	21	2411	2416	2436
5 OPzS/V 250	206	194	124	112	347	21	2511	2516	2536
5 OPzS/V 350	206	194	124	112	463	21	2521		
6 OPzS/V 300	206	194	145	133	347	22	2611	2616	2636
6 OPzS/V 420	206	194	145	133	463	27	2621		
6 OPzS/V 600	206	194	145	133	638	31	2631		
7 OPzS/V 490	206	194	166	154	463	26	2711	2716	2736
8 OPzS/V 800	210	194	191	175	638	31	2811	2816	2836
10 OPzS/V 1000	210	194	233	217	638	31	3011	3016	3036
12 OPzS/V 1200	210	194	275	259	638	30	3211	3216	3236
12 OPzS/V 1500	210	194	275	259	788	40	3221		
16 OPzS/V 2000	214	196	399	381	764	41	3611	3616	3636

ACCUMALUX Group

BP 2153, L-1021 Luxembourg ▪ Tel: +352 36 70 62 ▪ Fax: +352 36 06 40 ▪ sales@accumalux.com ▪ www.accumalux.com

Always one step ahead